

UNIDARE

WMF(N) FAN STORAGE HEATER RANGE

MODELS:

WMF 718N - 2.6kW / 18kWh STORAGE & 1.5kW BOOST
WMF 724N - 3.4kW / 24kWh STORAGE & 1.5kW BOOST

INSTALLATION AND OPERATING INSTRUCTIONS

IMPORTANT

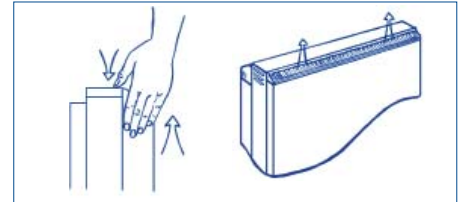
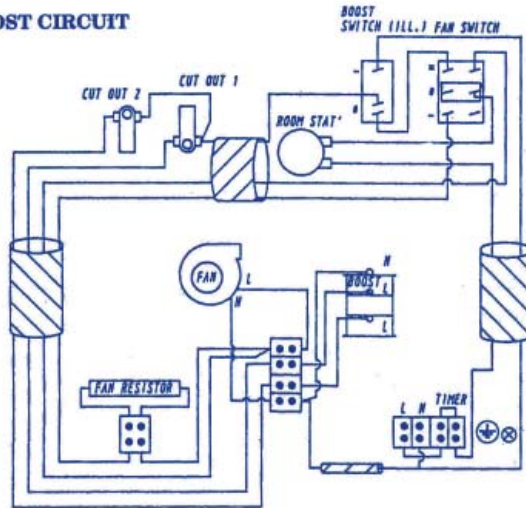
**PLEASE READ THIS LEAFLET CAREFULLY AND RETAIN FOR FURTHER USE.
NOTE ALSO THE INFORMATION GIVEN ON THE HEATER**

- ✦ The Installation must be carried out by trained personnel.
- ✦ A means for disconnection must be incorporated in the fixed wiring by a double pole switch with a contact separation of a minimum of 3mm and in accordance with the current IEE Wiring Regulations.
- ✦ The heater must not be installed immediately below a fixed socket outlet.
- ✦ The heater is not suitable for connection to a 30A ring circuit.
- ✦ Do not position the heater under windows where curtains can contact the heater casing.

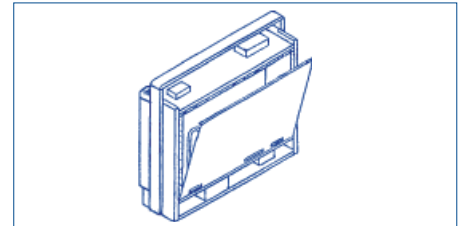
- ✦ **WARNING - THE SURFACES ON THIS HEATER CAN BE HOT.**
- ✦ This heater meets EN60335 safety requirements. However, any heater type becomes hot in normal operation. Care must be taken to ensure that prolonged skin contact with the heater does not occur.
- ✦ WHERE YOUNG CHILDREN, INFIRM PERSONS, OR THE AGED ARE PRESENT THIS APPLIANCE MUST BE ADEQUATELY GUARDED. Contact your installer or the manufacturer for further advice.
- ✦ This appliance is not intended for use by persons (including children) with reduced physical, sensory or mental capabilities, or lack of experience and knowledge, unless they have been given supervision for instruction concerning use of the appliance by a person responsible for their safety. Children should be supervised to ensure that they do not play with the appliance.
- ✦ This appliance is very heavy and must be securely fixed to a wall. DO NOT UNDER ANY CIRCUMSTANCES ATTEMPT TO MOVE OR REPOSITION THIS HEATER WITHOUT SEEKING EXPERT ADVICE.
- ✦ To maintain stability, it is essential that the heater is placed on a level surface.
- ✦ This heater must be installed where it is impossible for switches and other controls to be touched by a person using a bath or shower.
- ✦ IMPORTANT - Due to the newness of materials the heater will produce a slight smell for the first few days of operation. ROOMS MUST BE WELL VENTILATED AND YOUNG CHILDREN, CAGED BIRDS, OR PERSONS WITH RESPIRATORY COMPLAINTS MUST NOT REMAIN IN CLOSE PROXIMITY TO THE HEATER DURING THE FIRST 48 HOURS OF THE COMMISSIONING PERIOD.
- ✦ IF, DURING ANY REASSEMBLY OF THE HEATER, A PART OF THE THERMAL INSULATION SHOWS DAMAGE OR DETERIORATION WHICH MAY IMPAIR SAFETY, IT SHOULD BE REPLACED BY AN IDENTICAL PART.

INSTALLATION INSTRUCTIONS

FAN/BOOST CIRCUIT



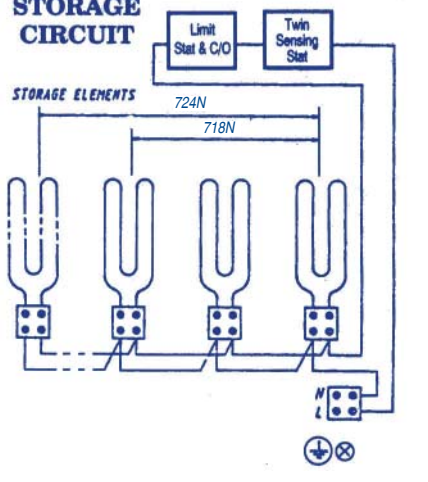
2. Remove the inner front panel by unscrewing the screws along its top and sides. As the front insulation is attached care must be taken when lifting this panel from the heater and placing it to one side.



3. CONNECTION OF THE MAINS CABLE - Connect the restricted (E7) supply to the terminal block, marked "Storage Circuit" having first passed the cable through a front cable clamp in the base. Connect the unrestricted (Peak) supply to the terminal block, marked "Fan/Boost Circuit", having passed this cable through another cable clamp in the base. At this point, if desired, an external "Fan/Boost timer" may be fitted to the heater by passing the two wires from the timer through the remaining cable clamp, and connecting them across the terminal block, marked "Timer", having already removed the link fitted across this block at the factory.

Connect the EARTH lead from both supplies to the terminal marked with the symbol \oplus .

STORAGE CIRCUIT



WARNING - This appliance must be earthed

Only heat resisting cable (min. rating T85) should be used. The wires in the mains cable will be coloured as follows:-

- GREEN & YELLOW - EARTH
- BLUE - NEUTRAL
- BROWN - LIVE

SUGGESTED FIXINGS

SOLID BRICK/BLOCK

No.10 Size plastic inserts, 8mm drill bit. Drill hole 15mm deeper than plastic insert length.

PLASTERBOARD

If possible locate studding and use No.10 woodscrews directly into the wood, otherwise M5 rawplug intersets are suitable.

NOTE: FOR OTHER WALL TYPES (e.g. timber frame and hollow concrete) SEEK SPECIALIST ADVICE.

PREPARATION

The heater will arrive separately from its storage bricks, the following bricks will be required.

- WMF 718N - 12 bricks
- WMF 724N - 16 bricks

Two supplies are required for the operation of this heater - a restricted Off Peak or Economy 7 supply for the storage circuit, and an unrestricted supply for the fan and boost element circuit.

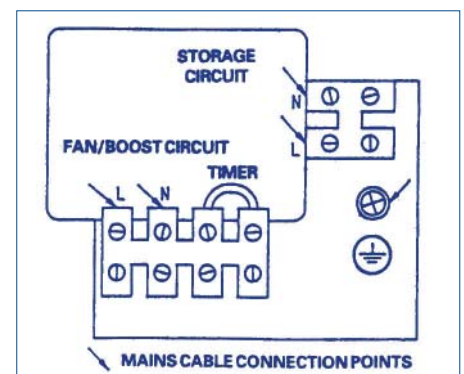
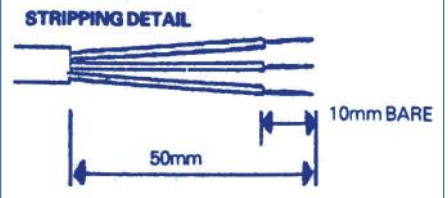
Thermostatic fan / boost control is provided on the heater, however the fan / boost operation may be customised by the introduction of an external timer to the heater (see section 3).

INSTALLATION

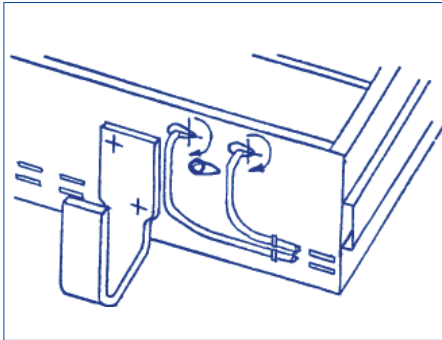
1. ENSURE THAT FIXING KIT HAS BEEN LOCATED BEFORE DISPOSING OF PACKAGING.

Remove the front panel by removing the three screws along its bottom edge. With hands positioned on each side of the panel, lift upwards to unhook the top edge whilst pressing down on the top panel with your thumbs. The panel can now be lifted clear and set to one side.

Remove packaging pieces from the slots on the inner front (3 on the 718N and 4 on the 724N).

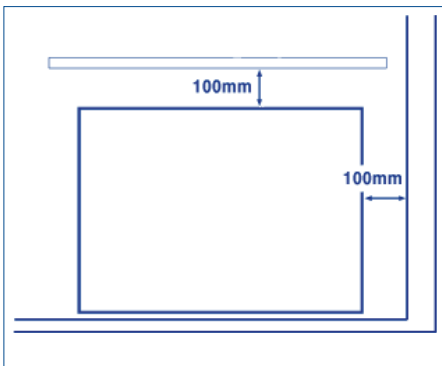


4. Ensure that any slack is pulled back through each clamp and tighten the clamping screws. Secure cables to base of the heater using ties provided in fixing kit.

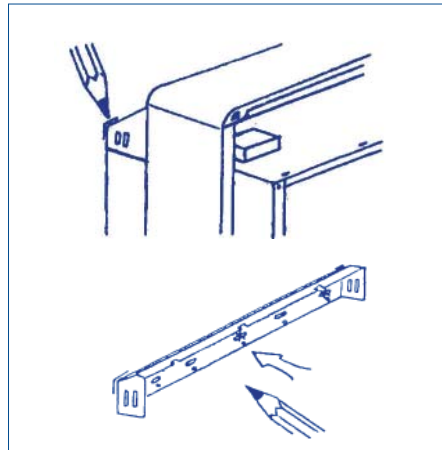


5. Place the heater on its feet, and in the desired position against the wall- DO NOT LIFT THE HEATER BY ITS TOP PANEL! Ensure that the heater is based on a firm level surface, at least 100mm from any end wall, and at least 100mm below any shelf or similar projection.

Cut away the gripper rod or carpet which would prevent the heater sitting firmly on the floor.



6. Mark the position of the two outside corners of the wall bracket with the heater pushed tight against the wall. Remove the wall bracket from the heater by removing the screw at each end. Place the heater to one side and reposition the bracket against the wall using the corner marks for alignment. Four fixing positions must be chosen for the WMF724N and three for the WMF718N. Mark the positions for the fixing holes - two at the extreme ends and the others spaced evenly between them. Remove the bracket from the wall, drill the holes in the positions marked, and insert suitable fixings previously described. Secure the wall bracket to the wall using the correct fasteners.



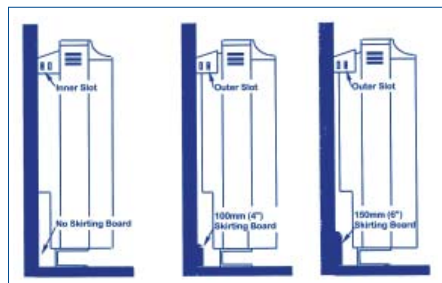
7. THE FOLLOWING MUST BE APPLIED WHEN FIXING THE HEATER TO THE WALL BRACKET.

i) If no skirting board is present secure the heater through the wall bracket slots closest to the wall.

ii) If 100mm (4in) skirting is present secure the heater through the outer slots.

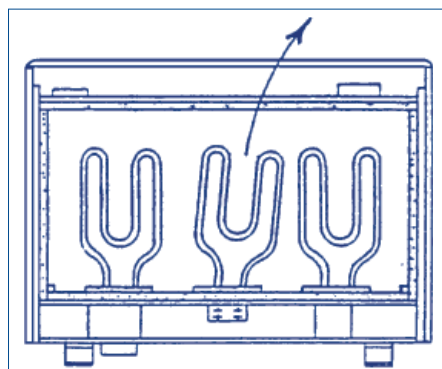
iii) If skirting taller than 150mm (6in) is present this must be reduced to 150mm (6in) over the entire width of the heater plus 25mm (1in) at each end.

Do not fully tighten these screws until the bricks are loaded into the heater as some settling of the heater may occur. **NOTE: NEVER REMOVE THESE SCREWS WITHOUT FIRST UNLOADING THE HEATER.**

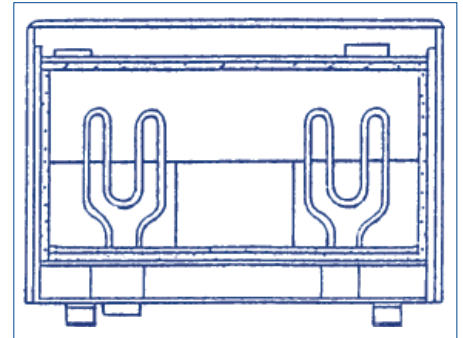


8. Remove one element to allow access for the rows of bricks. On the 724N remove the element to the right of the centre and on the 718N remove the central element.

Loosen the two screws securing the element tails in the ceramic connector block, and lift the element up and out of the heater.

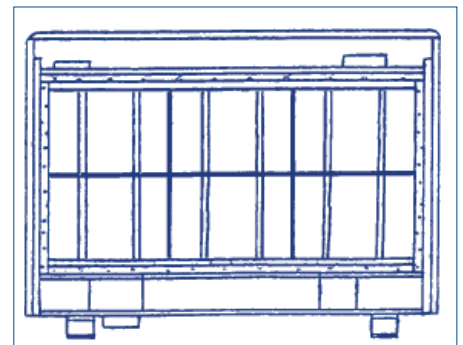


9. Carefully fit the bottom row of the back layer of bricks placing the two end bricks into position first. Ensure that the recess in the bricks is towards the rear of the heater. Repeat this with the top row of the back layer of bricks. Refit the element which had been removed by feeding the tails down through the hole in the base insulation and into the connector block. Ensure the element is fully pushed home, then securely tighten the two screws in the block.



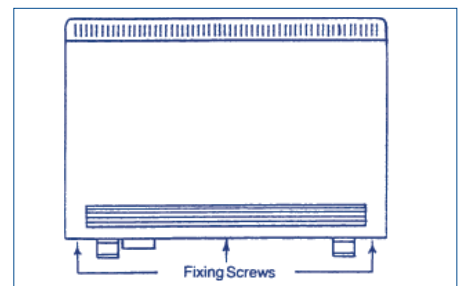
10. Fit the front layer of bricks with the recess toward the front of the heater. The complete core will comprise:

- WMF718N: 3 x 4 brick columns
- WMF724N: 3 x 4 brick columns



11. Replace the inner front, complete with insulation, by locating its bottom edge behind the front lip of the chassis and inserting the retaining screws along the top and sides.

Replace the outer front by hooking the upper grille into its retaining slot on the top panel, lower into position and replace the three self tapping screws along the bottom edge.



12. Finally, tighten the screws at each end of the wall bracket. Ensure that all screws have been tightened as this is essential to maintain earth continuity.

OPERATING INSTRUCTIONS

This storage heater takes in Energy when electricity tariffs are low and releases it on demand. The added flexibility of a direct acting 'BOOST' element is available, should the core be depleted. The Boost element can operate outside reduced tariff periods.

SAFETY INSTRUCTIONS

1. Ventilate rooms well during commissioning.
2. Do not move the heater in any way once installed without the services of a competent electrician.
3. Do not cover the heater with clothing etc. at any time, or position furniture close to or against the heater.
4. Ensure clearances of at least 150mm between the heater and curtains.
5. Should your heater fail to operate either employ the services of a competent electrician or Tel: 0845 600 5111.

ALSO REFER TO COVER PAGE

COMMISSIONING

Set both the Input Control and the Output Control to 6 and run the fan as often as possible during the first 48 hours. Ensure both supplies are switched on at the wall.

SETTING THE CONTROLS

The controls are located at the top right hand corner of the heater under the hinged flap and on the side panel. To adjust the control knobs, use a coin and engage it in the slot provided.

CONTROL FUNCTIONS

THE INPUT CONTROL

This heater is fitted with a use adjustable automatic input control which varies the charge taken in the response to weather the conditions taking into account the amount of energy already stored in the heater.

Set at 6 the heater takes a maximum charge and at 1 the heater takes a minimum charge at any room temperature. The casing of the heater, particularly in late evening, may feel cool, this is quite normal. The input control may require a few days experimentation before your comfort level is established.

Initially set the control to 4, the following evening if the room is too warm reduce to 3 or if it is too cool increase to 5. On subsequent evenings adjust by half divisions until your comfort level is achieved.

Having established the setting the input will automatically vary the amount of heat stored to compensate for weather variations.

THE OUTPUT CONTROLS

- (i) FAN- Three position rocker switch offering -
- | | |
|------------|------|
| FAN OFF | (0) |
| NORMAL FAN | (I) |
| HIGH FAN | (II) |
- (ii) BOOST - Two position illuminated rocker switch offering -
- | | |
|-----------|-----|
| BOOST OFF | (0) |
| BOOST ON | (I) |
- (iii) OUTPUT/ROOM TEMPERATURE CONTROL

This control is set by the user at the desired room temperature. It over-rides the use of the previous two controls i.e. if "Normal Fan" has been selected the room temperature control will allow the fan to run until desired room temperature has been achieved. Once this has been reached the fan will automatically cycle ON and OFF to maintain this temperature. If the room feels too warm the room temperature control should be adjusted anticlockwise, conversely if the room feels too cool it should be adjusted clockwise.

In everyday use "Normal Fan" only should be required however under exceptional conditions "HIGH FAN" maybe required. Only when "HIGH FAN" has been selected is the "BOOST" option available. Once the fan is switched to "OFF" or "LOW" the boost will automatically go off.

IMPORTANT

Switch off the fan when not in use, especially overnight when the heater is charging. During very warm weather the fan alone maybe used to circulate cool air.

CLEANING

To maintain the appearance of the heater wipe occasionally with a dry cloth when the heater is cool.

Do not use abrasive powders or furniture polish.

Discoloration of wall finishes can sometimes occur immediately above a storage heater due to the properties of some paints and decorating materials or the presence of environmental impurities in the air (such as soot or incense generated from the burning of candles, etc.)

AFTER SALES SERVICE

Your storage heater is guaranteed for two years from date of purchase. We undertake to exchange or repair within the period, any part found to be defective due to a manufacturing fault. This guarantee does not affect your statutory rights.

Should you require after sales service, please contact the supplier through whom you purchased the heater, or telephone 0845 600 5111.

Please do not initially return a faulty appliance, or part of an appliance, to us as this may result in transit damage and/or a delay in providing service.

Let us know your difficulty quoting the model number and serial number (located along the wall bracket). We will then take the appropriate action.

RECYCLING



For electrical products sold within the European Community.

At the end of the electrical products useful life it should not be disposed of with household waste. Please recycle where facilities exist. Check with your Local Authority or retailer for recycling advice in your country.



Customer Help Line
Fax
Web-site

0845 600 5111
01489 773 053
www.unidareenvironmental.co.uk



This product complies with the European Safety Standards EN60335-2-30 and the European Standard Electromagnetic Compatibility (EMC) EN55014, EN60555-2 and EN60555-3.

These cover the essential requirements of EEC Directives 2006/95/EC and 2004/108/EC

© GDC Group Ltd. All rights reserved. Material contained in this publication may not be reproduced in whole or in part, without prior permission in writing. A division of the GDC Group Ltd, Millbrook House, Grange Drive, Hedge End, Southampton SO30 2DF